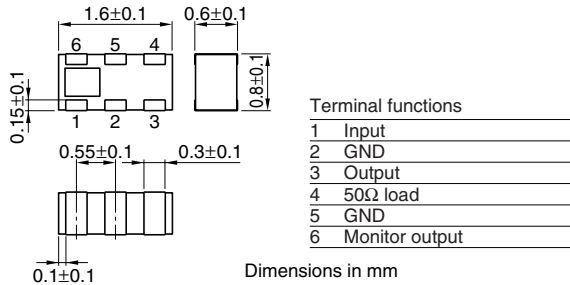


Multilayer Chip Directional Couplers For DCS-PCS/Tx

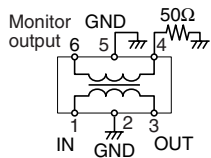
Conformity to RoHS Directive

HHM Series HHM2208SB1

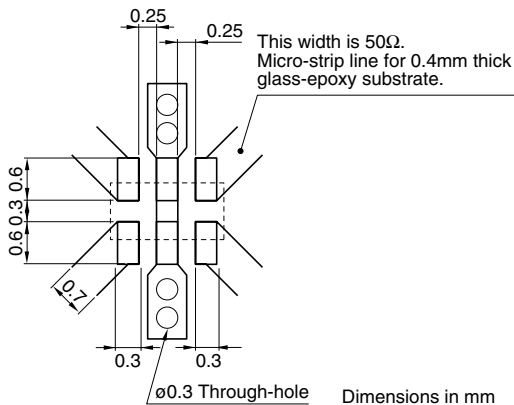
SHAPES AND DIMENSIONS



CIRCUIT DIAGRAM



RECOMMENDED PC BOARD PATTERNS



ELECTRICAL CHARACTERISTICS

Frequency range	1710 to 1910MHz
Coupling factor	-14.0±1.0dB
Insertion loss	0.40dB max.*1 0.45dB max.*2
Isolation	35dB min.
VSWR	1.3 max.
Temperature range	Operating -40 to +85°C Storage -40 to +85°C

*1 25°C

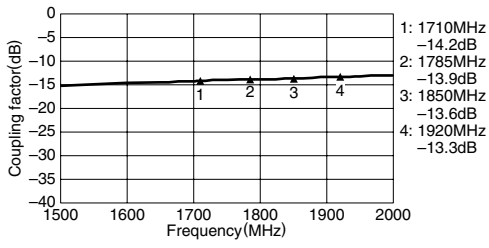
*2 Operating temperature

• Conformity to RoHS Directive: This means that, in conformity with EU Directive 2002/95/EC, lead, cadmium, mercury, hexavalent chromium, and specific bromine-based flame retardants, PBB and PBDE, have not been used, except for exempted applications.

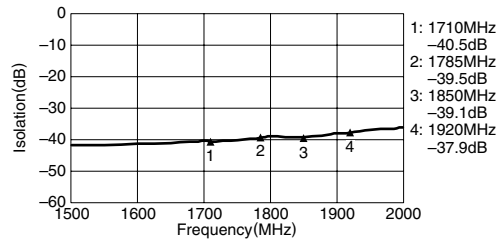
• All specifications are subject to change without notice.

FREQUENCY CHARACTERISTICS

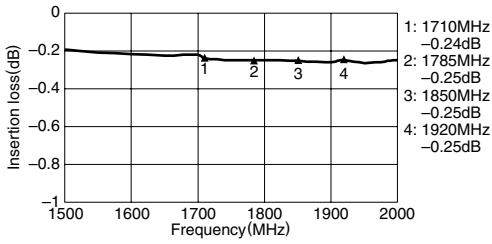
COUPLING



ISOLATION



INSERTION LOSS



VSWR

